

Cell. Respiration Vocab.

Name _____

Per. ____ Date _____

Write the balanced equation for cellular respiration below.

_____ + _____ -> _____ + _____

What are the reactants?

What are the products?

Define Cellular Respiration -

Define the following types of Respiration:

Anaerobic -

Lactic Acid Fermentation -

Alcoholic Fermentation -



Mrs. Jordan



Biology

Cell. Respiration Vocab.

Name _____

Per. ____ Date _____

Define the following words and then label the correct parts on the Mitochondria below.

Cristae -

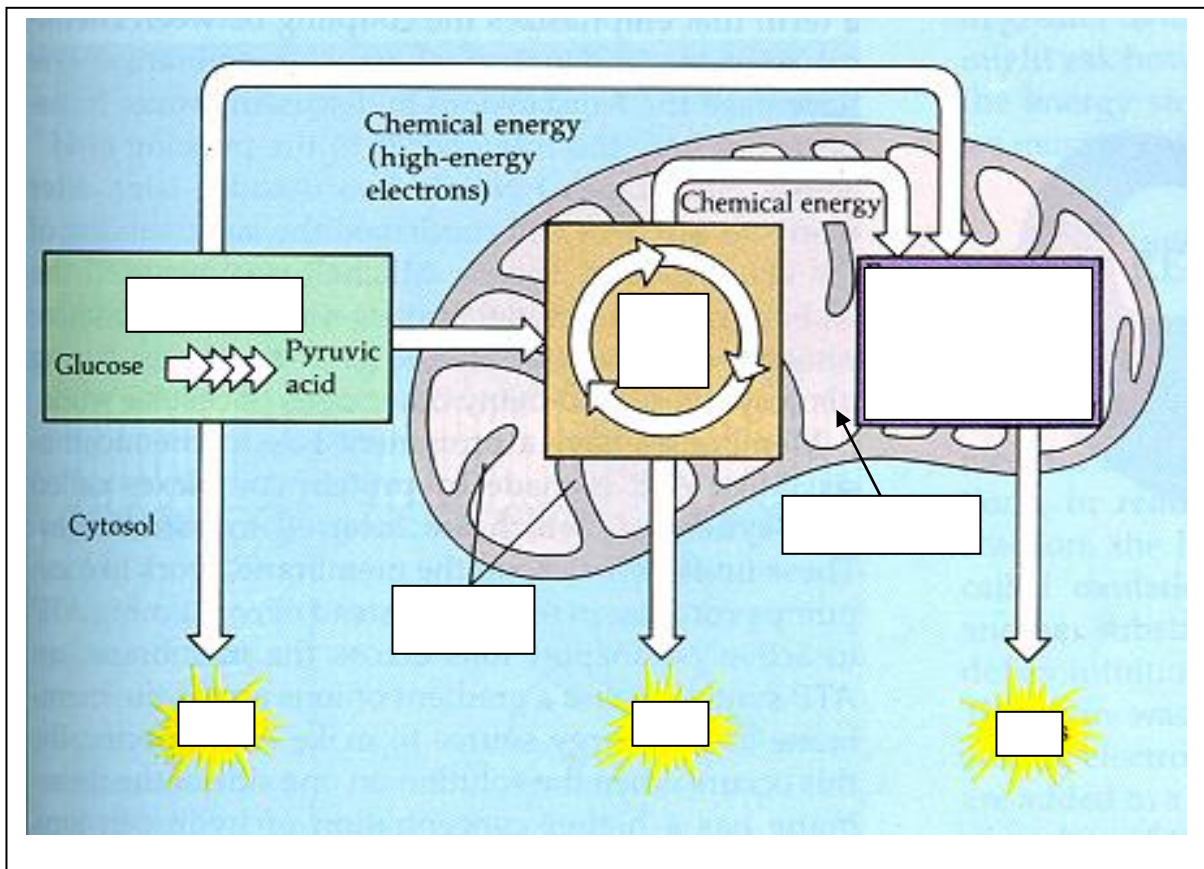
Mitochondrial Matrix -

ATP -

Kreb Creb Cycle -

Glycolysis -

Electron Transport Chain -



Cell. Respiration Vocab.

Name _____

Per. ____ Date _____



Mrs. Jordan



Biology